

INSTALLATION INSTRUCTIONS

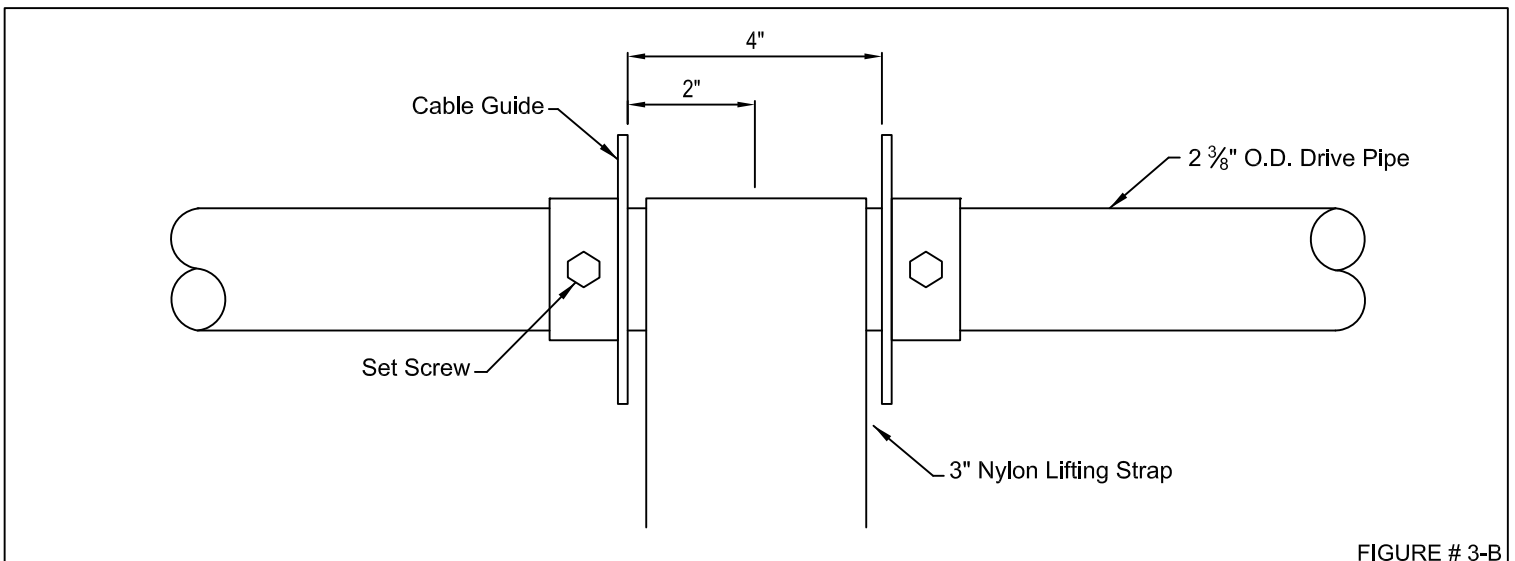
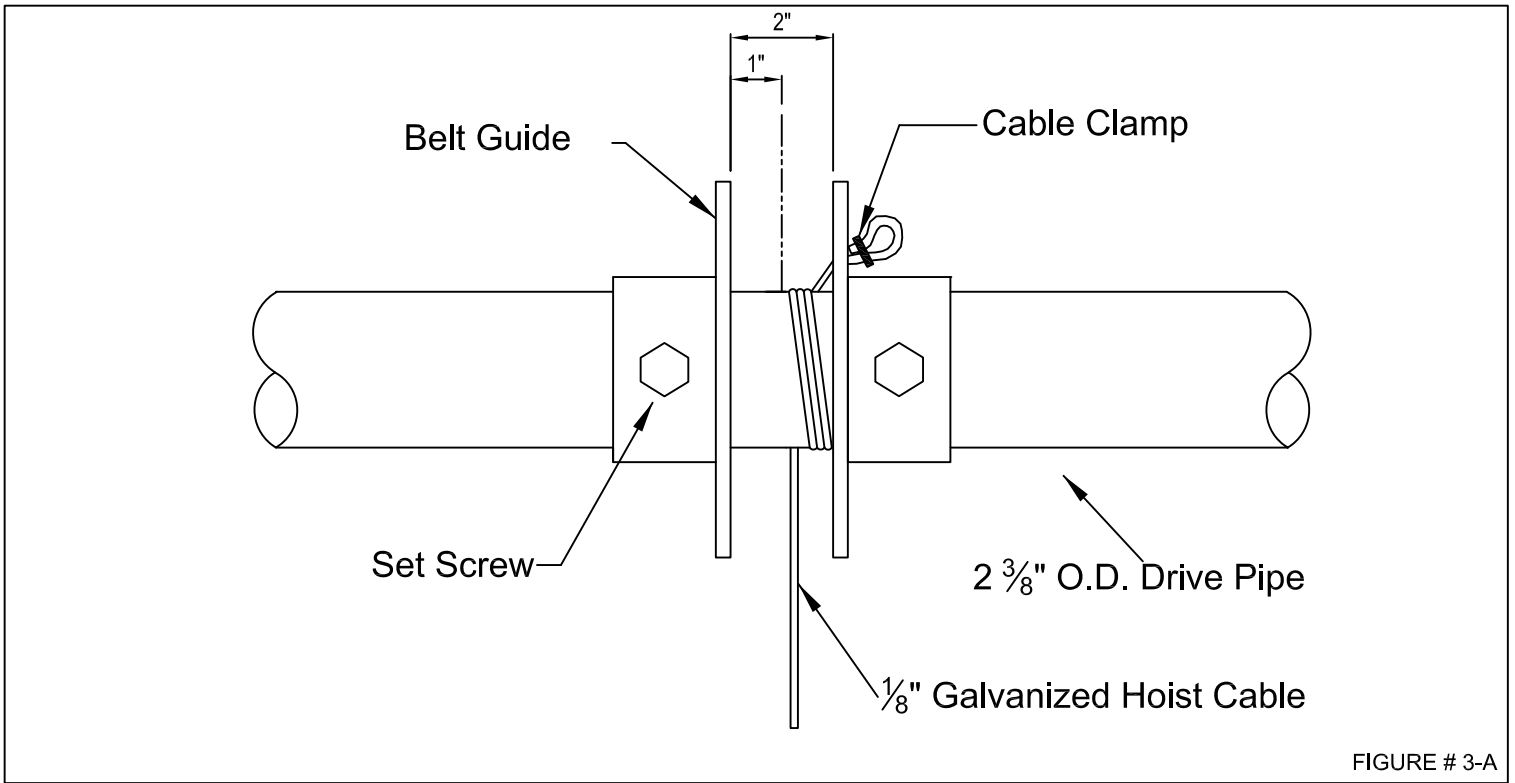
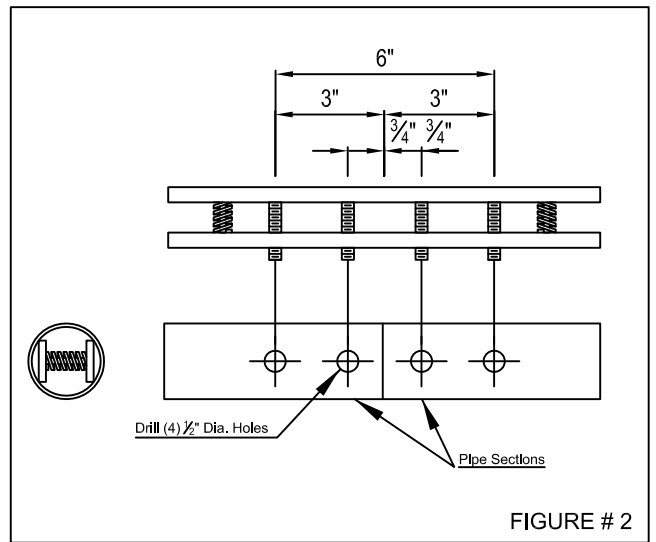
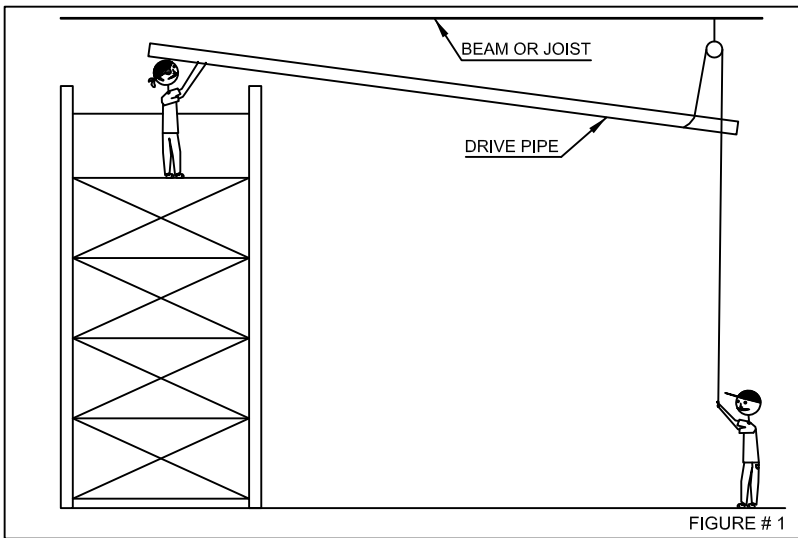
MODEL IP880 ROLL-UP GYM DIVIDER CURTAIN

These instructions are intended to be a guide only. They do not imply any responsibility of IPI by Bison for improper installation or faulty workmanship at the jobsite.

1. Identify all parts with packing slip and shop drawings.
2. Install motor unit at location shown on the shop drawings.
3. Start at the motor unit, install cradles that support the first section of the drive pipe. Raise the pipe section into place (see Figure 1). Slide the belt guides that form spool flange assembly, onto this section, and move them into location shown on the shop drawings. Attach drive pipe to the flex coupling of the motor reducer and level pipe section.
4. Repeat the procedure for each additional drive pipe section. Use the drive pipe splicers to join each pipe section as shown in Figure 2.
5. When the above has been completed and drive pipe is level, test run drive pipe orientation.
6. Attach $\frac{1}{8}$ " diameter cable to each spool flange assembly, as shown in Figure 3-A, and let the other end hang to the floor.
7. Spread the curtain out on the floor and insert the $1\frac{5}{8}$ " diameter batten pipe into the top hem of the curtain. Batten pipe splicers are used to join each pipe section, as shown in Figure 2. The top batten must protrude 4" to 6" beyond the edge of the curtain.
8. Temporarily secure the hoist cable to the top batten pipe through the pre-cut slots in the curtain hem. Raise the curtain into position for attachment of chain that is secured to each drive pipe cradle support. A knife slit must be made in the pocket hem (see Figures 4-A and 4-B).
9. After all chains are secure, remove the cable from the top batten and from the drive pipe, Adjust the belt guide to the proper width for the 3" wide nylon lifting strap, as shown in Figure 3-B.
10. Place the $3\frac{1}{2}$ " diameter batten pipe on top of the excess curtain on the floor, make sure the front (dull) side of the curtain is up. Apply double coated tape to the batten pipe. Line up the lower edge of the curtain with the seam on the pipe running the length of the curtain and adhere curtain to the batten pipe. Roll the curtain onto the tube making sure to keep the fabric tight.
11. Raise the bottom batten pipe onto the blocking and level the batten pipe (see Figure 5). Make sure the fabric is tight, no wrinkles. Place the aluminum strip on the side of the batten pipe (see Figure 5) and keep level. Attach the aluminum strip with $1\frac{1}{4}$ " self-drilling Tek/3 screws provided. Although screws are self-drilling, you may need to pre-drill holes.
12. Attach the hoist belt to the drive pipe with $1\frac{1}{4}$ " self-drilling Tek/3 screws. Apply double coated tape to the drive pipe to temporarily hold the belt while fastening. Line up screws on the side of the drive pipe. After all belts are attached, rotate the drive pipe until you have at least 3 wraps of belting on the drive pipe.
13. Run the belt down underneath the $3\frac{1}{2}$ " batten, up the front (dull) side of the curtain and attach the belt around the top batten pipe with elevator bolts, as shown in figure 6.
14. Once belts are snug, remove the blocking.
15. Set the limit switch for up and down travel of the curtain (see attached instructions).

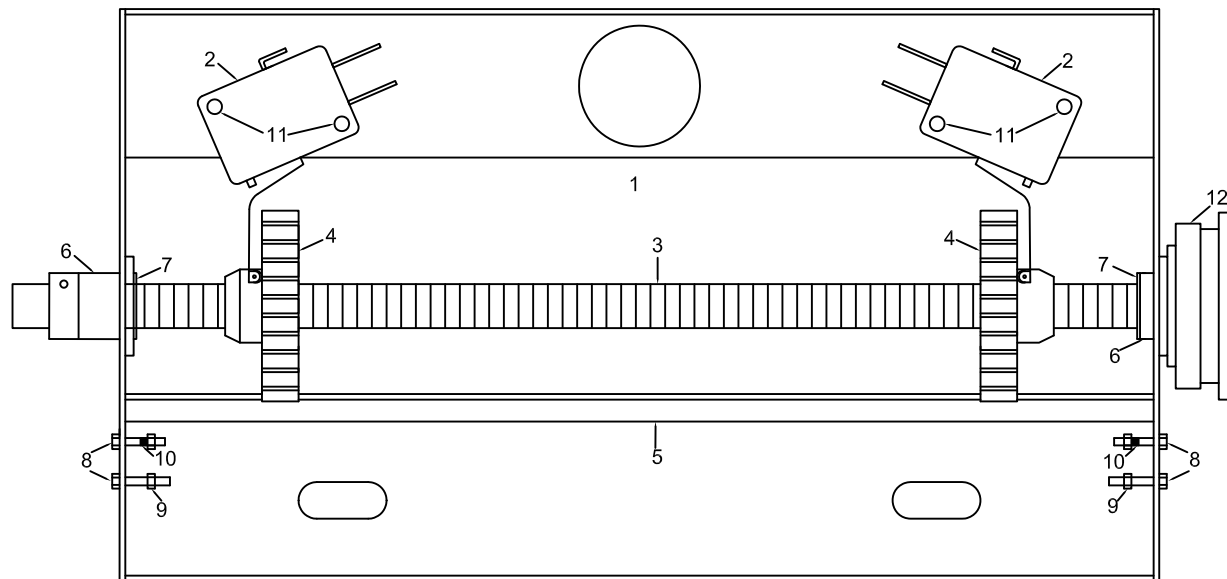


800-637-7968



ROTARY LIMIT SWITCH CONTROL

ITEM NO.	PART NO.	DESCRIPTION	NO. REQ'D
1		CONTROL BOX	1
2	V3L-11-1DB	LIMIT SWITCHES	2
3		BRASS DRIVE ROD	1
4	MD-030-202	SPUR GEARS	2
5		GEAR RETAINER BAR	1
6		BRONZE BUSHINGS	2
7	FB-58	$\frac{5}{16}$ " I.D. X $\frac{1}{2}$ " O.D. X $\frac{1}{16}$ " WASHER	2
8		4-40 X $\frac{1}{2}$ " SOCKET HEAD M.S.	4
9		4-40 HEX NUT WITH NYLON INSERT	4
10	T-025-180-140-L & R	TORSION SPRINGS	1 OF EA.
11		4-40 X $\frac{5}{8}$ " SOCKET HEAD M.S.	4
12		SPROCKET - IPDC975 or COUPLER - IPBA975	1



INSTRUCTIONS

Upper and lower limits are set by locating the traveling spur gears on the brass drive rod (item no. 3). The limit switch with the red connecting wire is normally set for the raised position of the curtain. Pink wires are for the lower position.

To set, push the gear retainer bar (item no. 5) back to release the traveling spur gears. Set the gears (item no. 4) towards the center to allow sufficient travel. With the curtain in the raised position, set the upper spur gear (red wire leads) to contact and close the limit switch. Release the retainer bar to lock the spur gears and lower the curtain. Repeat procedure for setting the lower spur gear (pink wire leads).

After setting both positions make sure the gear retainer bar is fully locking the traveling spur gears. Raise and lower the curtain through a complete cycle to check proper settings.

