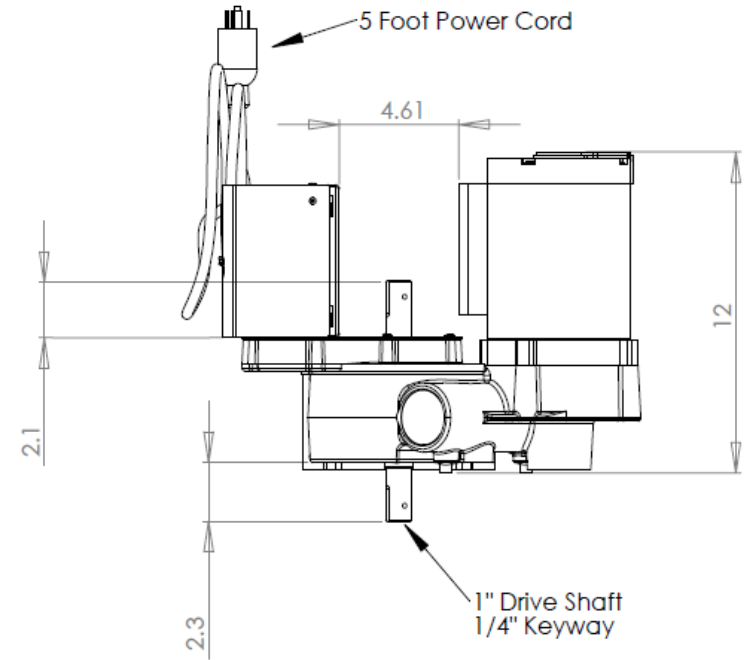
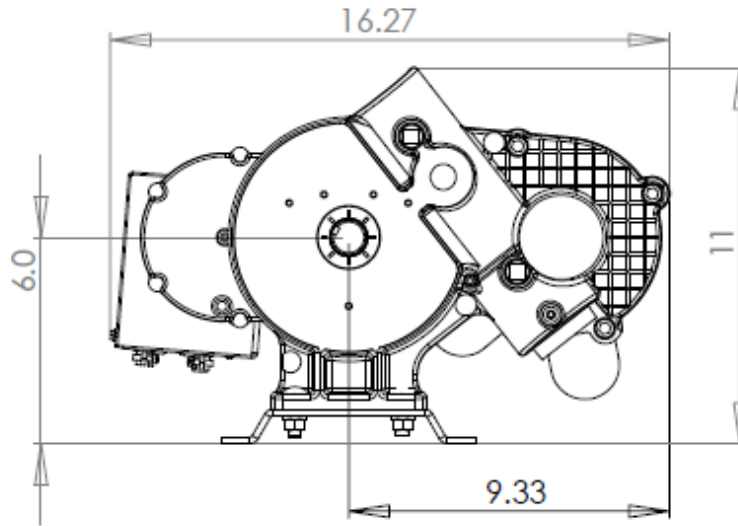
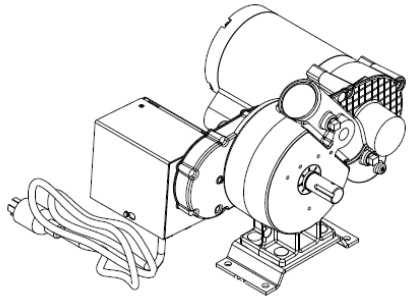
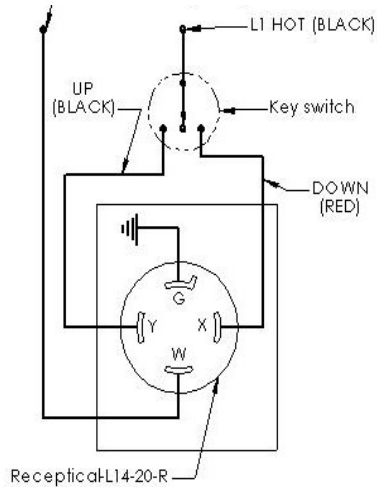


Welcome to the LynRus CW3 Curtain hoist, *the* premium hoist of the gymnasium equipment market!

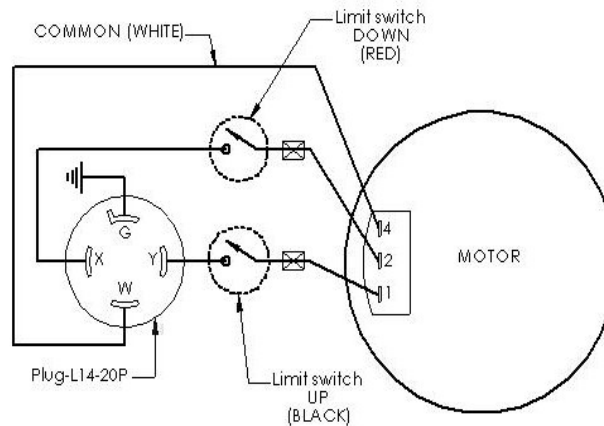


Key Switch to Receptacle wiring schematic for LynRus CW3 hoist.

Please note: The up and down leads on your key switch may be switched based on the direction of the mounting configuration of the winch on the pipe if required.



Wiring schematic for LynRus CW3 hoist with optional pigtail



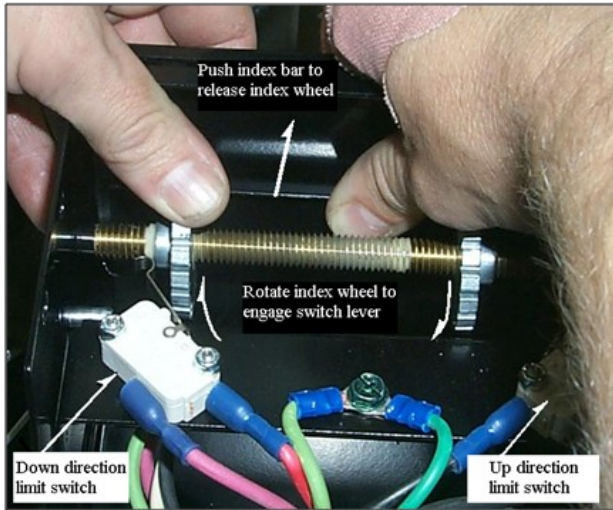
UNIT	CURTAIN WINCH-CW3
SHIPPING WEIGHT	56 LBS
LENGTH	16.27 in
WIDTH	12.75 in
HEIGHT	11.00 in
VOLTAGE	120 AC
CURRENT	11.5 FLA
FREQUENCY	60 HZ
DUTY	Intermittent 10 min.
CAPACITY	1000 LBS Max

WARNING:

- Read all instructions prior to installation and use.
- This unit is intended for indoor use only
- Use appropriate lock-out and tag-out procedure when installing unit.

WARNING: Moving components pose a severe pinch hazard! Use extreme caution while installing hoist. Do not wear loose clothing, long hair, jewelry, etc. when installing or operating

1. Lock out electrical power.
WARNING: HIGH VOLTAGE! Setting the limit switches is a hazardous operation. To set the limit switches you must access the hoist while under load. Lock out and tag the circuit breaker for this unit before adjusting the limit wheel settings. This prevents electric shock, and injury due to unexpected hoist movement.
2. Set limit switches. Loosen the retaining screw and remove the limit Box Cover



3. Press the black index locking bar away from the down direction index wheel so it can rotate freely. Rotate the wheel until the switch “clicks” indicating that the switch is active
4. Unlock and restore Electrical power. Twist the key switch in the down direction to verify the down switch setting. The hoist should not

5. Lock out Electrical power and adjust the down direction wheel as necessary to obtain desired setting.
6. Estimate the amount travel from the deployed (down) position to the stowed (up).
7. Set the Up Direction index wheel so that the two wheels are the same number threads apart as the cable travel in feet.
8. Unlock and restore power.
9. Operate the hoist to raise the curtain or net to its stowed position.

WARNING: Always directly observe the movement of the curtain or net whenever operating, watching for mechanical interference!

10. Remember to appropriately lock and unlock the electrical power. Adjust the up direction limit switch until the curtain or net is set.
11. Place the cover on the limit box and secure the screw with a screwdriver.

Congratulations! You have completed the installation of the LynRus CW3 Electric Curtain Winch.

If you have any questions or concerns about the product or it’s installation, please contact the manufacturer you purchased the product from or visit www.lynrus.com.



LynRus Aluminum Products
204 West 1700 South
Salt Lake City, Utah, 84115
www.lynrus.com
801-486-8104

Five Year Limited Warranty

To ensure superior quality, all of our products have been manufactured and constructed to the most current procedures and specifications.

If, however, any product fails for reasons related to the quality of craftsmanship, materials or design, this warranty guarantees that the LynRus Aluminum Products LLC will repair or replace (at our discretion) the product.

This warranty is valid for a period of five years. After the five-year period expires, if a product fails due to craftsmanship, materials or design, the customer may be responsible for charges relating to repair or replacement.

This limited warranty does not cover failure of our products due to improper handling, misuse or improper installation.